

Sunbeam

Sunbeam Smartheat™ Oil Filled Radiator

Instruction Booklet

HE6100 1000W Sunbeam Smartheat™ Oil Filled Heater

HE6150 1500W Sunbeam Smartheat™ Oil Filled Heater

Please read these instructions carefully
and retain for future reference.



Contents

Sunbeam's Safety Precautions	1
Safety Precautions For Your Heater	2
Sunbeam's Total Safety System	3
Features Of Your Sunbeam Smartheat™	
Oil Filled Radiator	4
Using Your Heater	6
Troubleshooting Guide	8
Care And Cleaning	8

تأكد من تفهم احتياطات السلامة المذكورة اعلاه

請務必理解上述的安全預防措施。

Assurez-vous que les précautions ci-dessus relatives à la sécurité sont bien comprises

Versichern Sie sich daß die obenstehenden Sicherheitsmaßnahmen Verstanden werden

Βεβαιώνετε πως οι παραπάνω προφυλάξεις ασφαλείας γίνονται κατανοητές

Pastikan bahwa tindakan-tindakan keselamatan seperti di atas dimengerti anda

Accertatevi che le suddette norme di sicurezza siano comprese a dovere

上記の注意事項をよくお読みになり、安全を御確認ください

Уверете се дека погоре споменатите мерки на претпазливост се добро разбрани

Asegúrese de que las precauciones de seguridad precedentes sean bien comprendidas

کاری بکنید کہ احتیاطهای بالا حتماً درک بشوند

ต้องแน่ใจว่า ข้อควรระวังเรื่องความปลอดภัยข้างต้น เป็นที่เข้าใจกันดี

Yukarda belirtilen güvenlik önlemlerinin anlaşıldığından emin olunuz

Xin kiểm chắc rằng những biện pháp làm an toàn kể trên được hiểu rõ

Sunbeam's Safety Precautions

Sunbeam are very safety conscious when designing and manufacturing consumer products, but it is essential that the product user also exercise care when using an electrical appliance. Listed below are precautions which are essential for the safe use of an electrical appliance:

- Read carefully and save all the instructions provided with an appliance.
- Always turn the power off at the power outlet before you insert or remove a plug. Remove by grasping the plug - do not pull on the cord.
- Turn the power off and remove the plug when the appliance is not in use and before cleaning.
- Do not use your appliance with an extension cord unless this cord has been checked and tested by a qualified technician or service person.
- Always use your appliance from a power outlet of the voltage (A.C. only) marked on the appliance.
- Close supervision is necessary when your appliance is being used near children or infirm persons.
- Never leave an appliance unattended while in use.
- Young children should be supervised to ensure that they do not play with the appliance.
- Do not use an appliance for any purpose other than its intended use.
- Do not place an appliance on or near a hot gas flame, electric element or on a heated oven. Do not place on top of any other appliance.
- Do not let the power cord of an appliance hang over the edge of a table or bench top or touch any hot surface.
- For safety reasons and to avoid maintenance by unskilled persons, some appliances are 'sealed' using tamperproof screws. Such appliances should always be returned to the nearest Sunbeam Appointed Service Centre for adjustment or repair if required.
- Do not operate any electrical appliance with a damaged cord or after the appliance has been dropped or damaged in any manner. If damage is suspected, return the appliance to the nearest Sunbeam Appointed Service Centre for examination, repair or adjustment.
- For additional protection, Sunbeam recommend the use of a residual current device (RCD) with a tripping current not exceeding 30mA in the electrical circuit supplying power to your appliances.
- Do not immerse the appliance in water or any other liquid.

If you have any concerns regarding the performance and use of your appliance, please visit www.sunbeam.com.au or contact the Sunbeam Consumer Service Line. Ensure the above safety precautions are understood.

Safety Precautions For Your Heater

- This heater becomes hot during use. To avoid burns, do not let bare skin touch hot surfaces. If provided, use handles when moving this heater. Keep combustible materials such as furniture, pillows, bedding, papers, clothes and curtains at least 3 feet (90cm) away from the front of the heater and keep them away from the sides and rear.
- Extreme caution is necessary when any heater is used by or near children or invalids and whenever the heater is left unattended.
- Always unplug the heater when not in use.
- Do not use outdoors.
- Do not run the cord of the heater under carpeting. Do not cover the cord with throw rugs, runners or other floor coverings. Arrange the cord away from traffic areas where it will not be tripped over.
- Do not locate the heater immediately below a socket outlet.
- Do not use this heater in the immediate surrounds of a bath, shower, laundry area or swimming pool.
- Do not insert or allow foreign objects to enter any ventilation or exhaust openings as this may cause electric shock or fire, or damage to the heater.
- To prevent a possible fire, do not block air intakes or exhaust in any manner. Do not use on soft surfaces, such as beds, where opening may become blocked.
- A heater has hot and arcing or sparking parts inside. Do not use it in areas where petrol, paint or flammable liquids are used or stored.
- In order to avoid overheating, do not cover the heater.
- This heater is only to be used with the castors fitted and in good condition.
- Your Sunbeam Smartheat™ heater is filled with a precise quantity of special oil. Repairs requiring opening of the oil container are only to be made by Sunbeam or its service agents who should be contacted if there is an oil leak.
- When scrapping the heater at the end of its useful life, follow local regulations concerning the disposal of oil.

Important Instructions - Retain For Future Use

If you have any concerns regarding the performance and use of your appliance, please visit www.sunbeam.com.au or contact the Sunbeam Consumer Service Line. Ensure the above safety precautions are understood.

Sunbeam's Total Safety System

Adjustable thermostat

Your Sunbeam Smartheat™ oil filled radiator features an adjustable thermostat which detects the temperature in the vicinity of the heater and switches the heating element off when a preset temperature is reached.

Safety auto shutoff

If the appliance overheats for any reason, a switch automatically activates to turn the heater off. For added safety, you must remove the plug from the wall and wait till the heater cools down before the heater can be switched back on.

Thermal back-up fuse

In addition to this automatic cut-off, your heater contains a thermal back-up fuse to provide additional back-up protection. If the heater is in an overheat situation, the back-up fuse will open, stopping the power flow to the heating element. This fuse cannot be reset, so in the event that the back-up fuse is activated, the heater will need to be replaced.

Features Of Your Smartheat™ Oil Filled Radiator

Convection vents

Vents guide the flow of heated convection air to provide more effective heat distribution around the room.

Heat setting operation

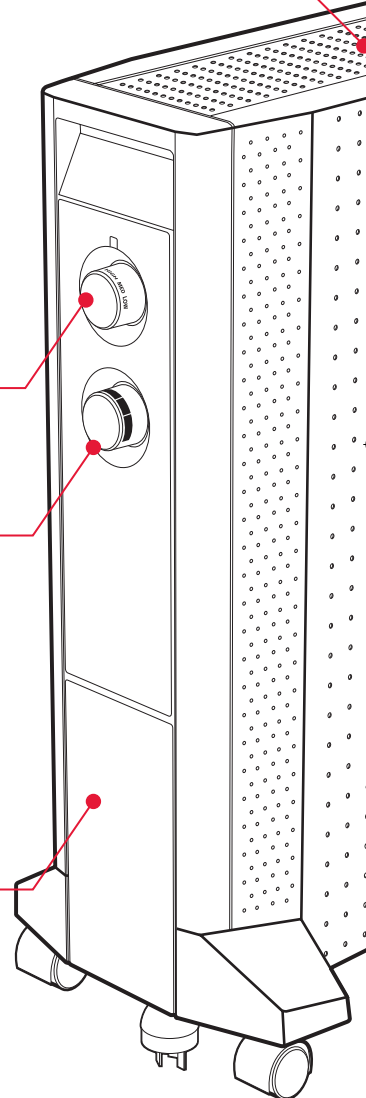
There are 3 heat settings to choose from, allowing you to select the most comfortable room temperature.

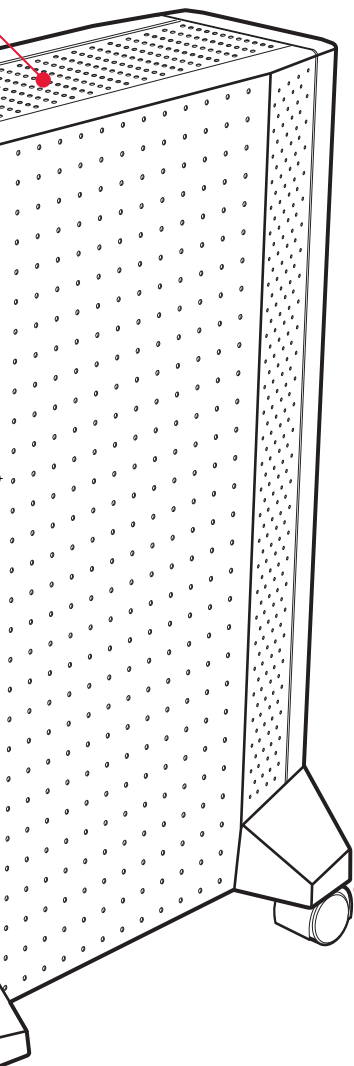
Thermostat control operation

The adjustable thermostat allows you to select the desired heat level, and automatically switches the heater on and off to maintain it.

Discreet cord storage compartment

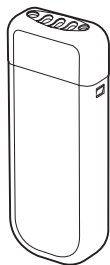
The discreet cord storage compartment allows you to keep the power cord out of harms way when the heater is not in use.





Integrated humidifier cup

The removable humidifier cup allows you to add moisture to the air to ensure that the air doesn't dry out.



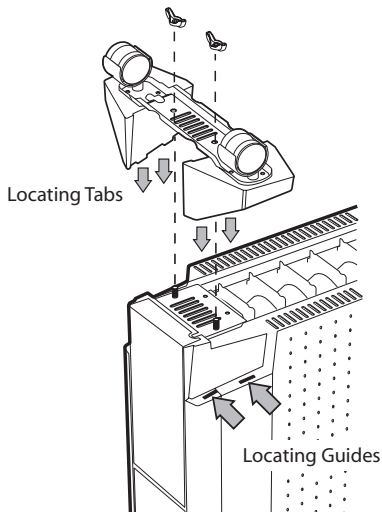
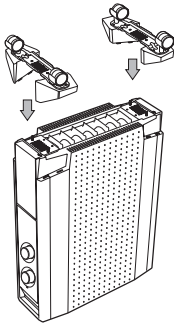
Castors

Provide easier mobility from room to room.

Using Your Heater

Attaching the castors

1. Carefully position the heater upside down on a soft cloth or carpet.
2. Use the 4 wing nuts provided to fix the castors to the heater base.



Switching the heater on

1. Place the heater on a flat level surface.
2. Insert the plug into a 230/240V power outlet and turn the power on.
3. Turn the heat setting dial to low, medium or high depending on your preference.

Setting the thermostat

1. Set the thermostat to the highest setting by turning the dial clockwise as far as it will turn.
2. When the room has reached the desired temperature level, lower the thermostat setting by turning the thermostat dial anticlockwise until it clicks. This is the current room temperature, and your heater will aim to maintain this set temperature.

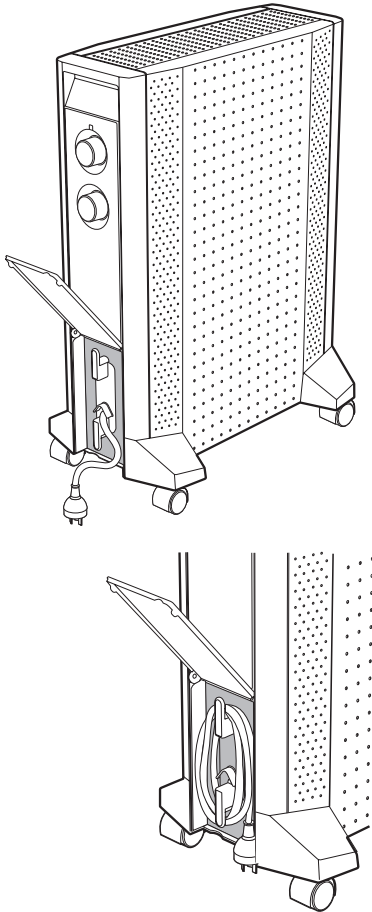
The thermostat is now set and will maintain the pre-set temperature level by automatically switching the heater on and off depending on the room temperature.

NOTE: Be careful not to overheat the room by leaving the heater on maximum heat and maximum thermostat for extended periods of time.

Using Your Heater (continued)

Cord storage

1. Open the hinged door on the bottom of the heater, below the controls.
2. Wrap the cord around the retaining hooks.
3. Close the door to store neatly away.

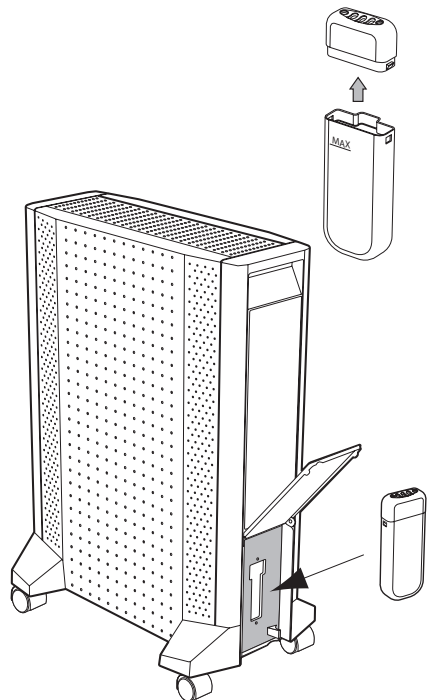


Using the humidifier

To fill the humidifier cup with water:

1. Open the hinged door on the side of the heater opposite to the controls.
2. Remove the humidifier cup.
3. Pull the top from the cup to open.
4. Fill with water no higher than the maximum level indicated.
5. Replace the top, return the humidifier to the heater, and close the hinged door.

NOTE: Ensure that you do NOT fill the humidifier cup beyond the MAX line indicated on the cup.



Troubleshooting Guide

If your heater fails to operate check the following:

- Make sure the electrical outlet or circuit breaker is working, and the thermostat is set to an appropriately high setting.
- Check for obstructions. If you find an obstruction, turn the heater off and follow the reset instructions in this section.

Resetting the safety auto shutoff

1. Remove any blockage from the heater vents.
2. Switch the heater off by rotating the top control dial to OFF.
3. Unplug the heater and wait 5-10 minutes for the heater to cool down.
4. Once the heater has cooled down, plug the heater into the power outlet and operate normally.

Care And Cleaning

Ensure that the heater is switched off and disconnected from the power outlet before cleaning.

Carefully wipe the exterior of the heater with a soft damp cloth and dry thoroughly with a dry cloth.

Over time, dust may accumulate on the vents. This dust can be removed by wiping with a damp cloth, or by using the brush attachment to your vacuum cleaner.

Store the heater in a cool dry place when not in use. Store the heater in its carton if possible, to prevent scratching and dust accumulation.

2 Year Replacement Guarantee

We are so confident of the quality of our product, should this appliance develop any malfunction within 2 years of purchase (3 Months commercial use) due to faulty materials or manufacture, we will replace it for you absolutely free.

Should you experience any difficulties with your appliance, please phone our free call customer service line for advice on 1300 881 861 in Australia, or 0800 786 232 in New Zealand.

Alternatively, simply return the faulty appliance to your place of purchase, along with your purchase receipt.

Your Sunbeam 2 Year Replacement Guarantee naturally does not cover misuse or negligent handling, and excludes breakables such as glass or ceramic items, and normal wear and tear.

Similarly, your 2 Year Replacement Guarantee does not cover damage to household surfaces as a result of water or other substances leaking from your appliance, nor does it cover freight costs.

In Australia, this guarantee is additional to the conditions and guarantees which are mandatory as implied under the Trade Practices Act 1974 and State and Territory legislation.

Sunbeam Service Centres

Sunbeam has established a network of authorised service centres throughout Australia and New Zealand to provide quick, convenient service for our customers.

Should your appliance require repair or service, either during or after the guarantee period, contact your nearest service centre.

For a complete list of Sunbeam's authorised service centres:

Australia

www.sunbeam.com.au/service
1300 881 861

New Zealand

www.sunbeam.co.nz/service
0800 786 232



Consumer Hotline

In Australia

Visit www.sunbeam.com.au

Or call 1300 881 861

In New Zealand

Visit www.sunbeam.co.nz

Or call 0800 786 232

 is a registered Trademark of Sunbeam.

Made in China.

Due to minor changes in design or otherwise,
the product may differ from the one shown in this leaflet.

© Copyright Sunbeam Corporation Limited 2008.

ABN 45 000 006 771

Sunbeam Corporation is a division of GUD Holdings Ltd.